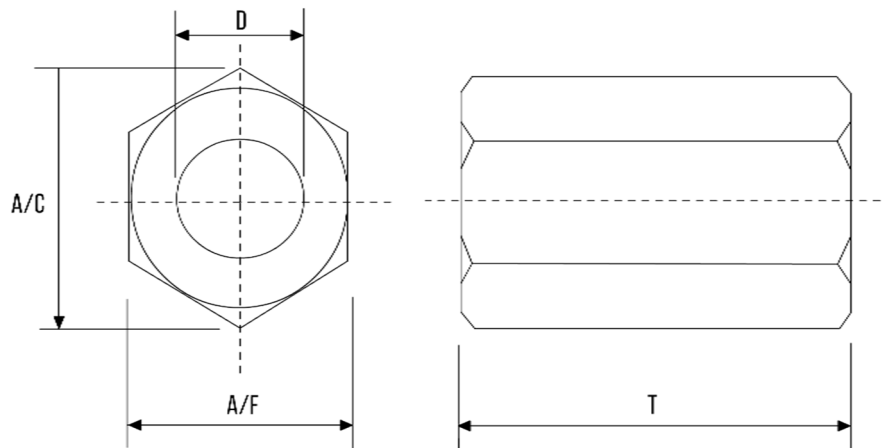


PIPE SUPPORTS



HEX CONNECTING NUT



DIA (D)	PITCH (COARSE)	A/F	A/C	T
M6	1.00	10.00	11.05	18
M8	1.25	13.00	14.38	24
M10	1.50	17.00	18.90	30
M12	1.75	19.00	21.10	36
M14	2.00	22.00	24.49	42
M16	2.00	24.00	26.75	48
M18	2.50	27.00	29.56	54
M20	2.50	30.00	33.53	60
M22	2.50	32.00	35.03	66
M24	3.00	36.00	41.60	72
M27	3.00	41.00	45.20	81
M30	3.50	46.00	50.85	90
M33	3.50	50.00	55.37	99
M36	4.00	55.00	60.79	108

- Dimensions in millimetres (unless stated)
- Available in Self Colour, Zinc Plated & Galvanised
- Other materials manufactured on request