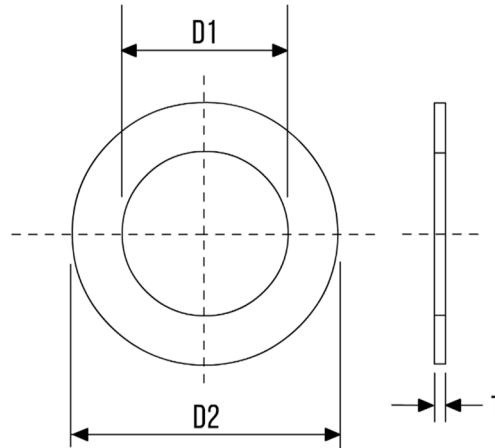


PLAIN WASHERS (IMPERIAL) – BS3410 TABLE 3



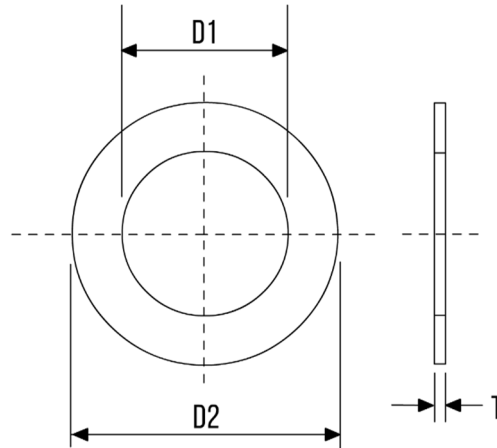
DIA	D1 (MAX)	D2 (MAX)	HEAVY PATTERN		LIGHT PATTERN	
			H (SWG)	H	H (SWG)	H
1/4	0.27	0.56	17.00	0.06	20	0.036
5/16	0.33	0.63	15.00	0.07	19	0.040
3/8	0.40	0.75	15.00	0.07	18	0.048
7/16	0.46	0.88	13.00	0.09	18	0.048
1/2	0.52	1.00	13.00	0.09	17	0.056
9/16	0.59	1.13	12.00	0.10	17	0.056
5/8	0.66	1.25	11.00	0.12	15	0.072
3/4	0.78	1.50	10.00	0.13	15	0.072
7/8	0.91	1.63	9.00	0.14	15	0.072
1	1.03	1.88	8.00	0.16	15	0.072
1.1/8	1.16	2.13	7.00	0.18	13	0.092
1.1/4	1.28	2.38	7.00	0.18	11	0.116
1.3/8	1.41	2.63	6.00	0.19	-	-
1.1/2	1.53	2.88	6.00	0.19	-	-
1.3/4	1.78	3.38	5.00	0.21	-	-
2	2.03	3.63	5.00	0.21	-	-

- Dimensions in inches
- Available in Mild Steel and A2 & A4 Stainless Steel
- Other materials manufactured on request

FASTENERS



PLAIN WASHERS (IMPERIAL) – BS3410 TABLE 7



DIA	D1	D2	H (SWG)	H
1/4	0.28	0.63	16.00	0.06
5/16	0.34	0.75	14.00	0.08
3/8	0.42	0.88	14.00	0.08
7/16	0.47	1.00	12.00	0.10
1/2	0.56	1.13	12.00	0.10
9/16	0.63	1.25	10.00	0.13
5/8	0.69	1.38	10.00	0.13
3/4	0.81	1.63	9.00	0.14
7/8	0.94	1.88	8.00	0.16
1	1.06	2.13	7.00	0.18
1.1/8	1.19	2.38	7.00	0.18
1.1/4	1.38	2.63	6.00	0.19
1.3/8	1.50	2.88	6.00	0.19
1.1/2	1.63	3.13	6.00	0.19
1.5/8	1.75	3.38	5.00	0.21
1.3/4	1.88	3.63	5.00	0.21
1.7/8	2.00	3.88	5.00	0.21
2	2.13	4.13	5.00	0.21

- Dimensions in inches
- Available in Mild Steel and A2 & A4 Stainless Steel
- Other materials manufactured on request