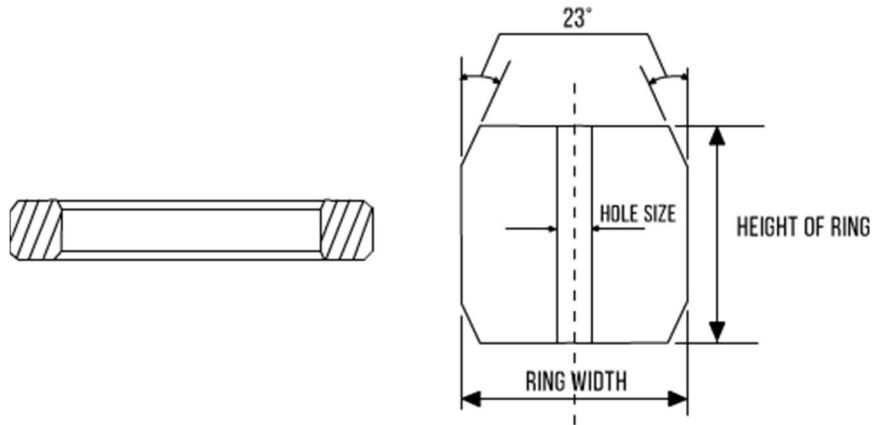


**GASKETS**



**TYPE BX RING TYPE JOINT DIMENSIONS – ASME B16.20**



RING No.	SIZE	CLASS	O/D	RING HEIGHT	RING WIDTH	O/D FLAT	FLAT WIDTH	HOLE
BX-150	1.11/16"	10000, 15000	2.842	0.366	0.366	2.790	0.314	0.06
BX-151	1.13/16"	10000, 15000, 20000	3.008	0.379	0.379	2.954	0.325	0.06
BX-152	2.1/16"	10000, 15000, 20000	3.334	0.403	0.403	3.277	0.346	0.06
BX-153	2.9/16"	10000, 15000, 20000	3.974	0.448	0.448	3.910	0.385	0.06
BX-154	3.1/16"	10000, 15000, 20000	4.600	0.488	0.488	4.531	0.419	0.06
BX-155	4.1/16"	10000, 15000, 20000	5.825	0.560	0.560	5.746	0.481	0.06
BX-156	7.1/16"	10000, 15000, 20000	9.367	0.733	0.733	9.263	0.629	0.12
BX-157	9"	10000, 15000, 20000	11.593	0.826	0.826	11.476	0.709	0.12
BX-158	11"	10000, 15000, 20000	13.860	0.911	0.911	13.371	0.782	0.12
BX-159	13.5/8"	10000, 20000	16.800	1.012	1.012	16.657	0.869	0.12
BX-160	13.5/8"	3000	15.850	0.938	0.541	15.717	0.408	0.12
BX-161	16.3/4"	5000	19.347	1.105	0.638	19.191	0.482	0.12
BX-162	16.3/4"	5000, 10000, 15000	18.720	0.560	0.560	18.461	0.481	0.06
BX-163	18.3/4"	5000	21.896	1.185	0.684	21.728	0.516	0.12
BX-164	18.3/4"	10000, 15000	22.463	1.185	0.968	21.728	0.800	0.12
BX-165	21.1/4"	5000	24.595	1.261	0.728	24.417	0.550	0.12
BX-166	21.1/4"	10000	25.198	1.261	1.029	25.020	0.851	0.12
BX-167	26.3/4"	2000	29.896	1.412	0.516	29.696	0.316	0.06
BX-168	26.3/4"	3000	30.128	1.412	0.632	0.928	0.432	0.06
BX-169	5.1/8"	10000	6.831	0.624	0.509	6.743	0.421	0.06
BX-170	6.5/8"	10000, 15000	8.584	0.560	0.560	8.505	0.481	0.06
BX-171	8.9/16"	10000, 15000	10.529	0.560	0.560	10.450	0.481	0.06
BX-172	11.5/32"	10000, 15000	13.113	0.560	0.560	13.034	0.481	0.06

- All dimensions in inches