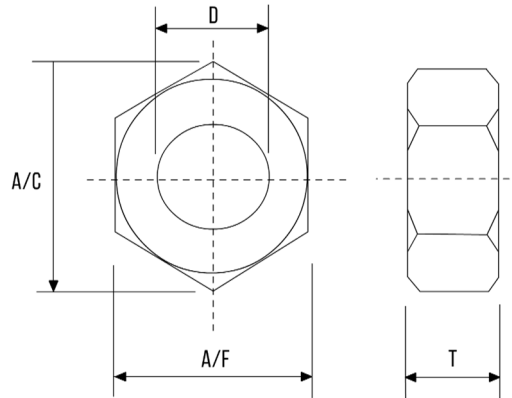


HEX FULL NUT (IMPERIAL) – ANSI B18.2.2 / BS1768



DIA	A/F			A/C		T		
	BASIC	MAX	MIN	MAX	MIN	BASIC	MAX	MIN
1/4	7/16	0.438	0.428	0.505	0.488	7/32	0.226	0.212
5/16	1/2	0.500	0.489	0.577	0.557	17/64	0.273	0.258
3/8	9/16	0.562	0.551	0.650	0.628	21/64	0.337	0.320
7/16	11/16	0.688	0.675	0.794	0.768	3/8	0.385	0.365
1/2	3/4	0.750	0.736	0.866	0.840	7/16	0.448	0.427
9/16	7/8	0.875	0.861	1.010	0.982	31/64	0.496	0.473
5/8	1.5/16	0.938	0.922	1.083	1.051	35/64	0.559	0.535
3/4	1.1/8	1.125	1.088	1.299	1.240	41/64	0.665	0.617
7/8	1.5/16	1.312	1.269	1.516	1.447	3/4	0.776	0.724
1	1.1/2	1.500	1.450	1.732	1.653	55/64	0.887	0.831
1.1/8	1.11/16	1.688	1.631	1.949	1.859	31/32	0.999	0.939
1.1/4	1.7/8	1.875	1.812	2.165	2.066	1.1/6	1.094	1.030
1.3/8	2.1/16	2.062	1.994	2.382	2.273	1.11/64	1.206	1.138
1.1/2	2.1/4	2.250	2.175	2.598	2.480	1.9/32	1.317	1.245
1.5/8	2.7/16	2.438	2.356	2.185	2.686	1.25/64	1.429	1.353
1.3/4	2.5/8	2.625	2.558	3.031	2.893	1.1/2	1.540	1.460
2	3	3.000	2.900	3.464	3.306	1.23/32	1.763	1.675
2.1/4	3.3/8	3.375	3.236	3.897	3.719	1.15/16	1.986	1.890
2.1/2	3.3/4	3.750	3.625	4.330	4.133	2.5/32	2.209	2.105
2.3/4	4.1/8	4.125	3.988	4.763	4.546	2.3/8	2.431	2.319

- Dimensions in inches
- Available in SAE Grades 2, 5, 8 Steel and A2 & A4 Stainless Steel
- Other materials manufactured on request